

# MD-2702 CLINICAL REVIEW MONITOR



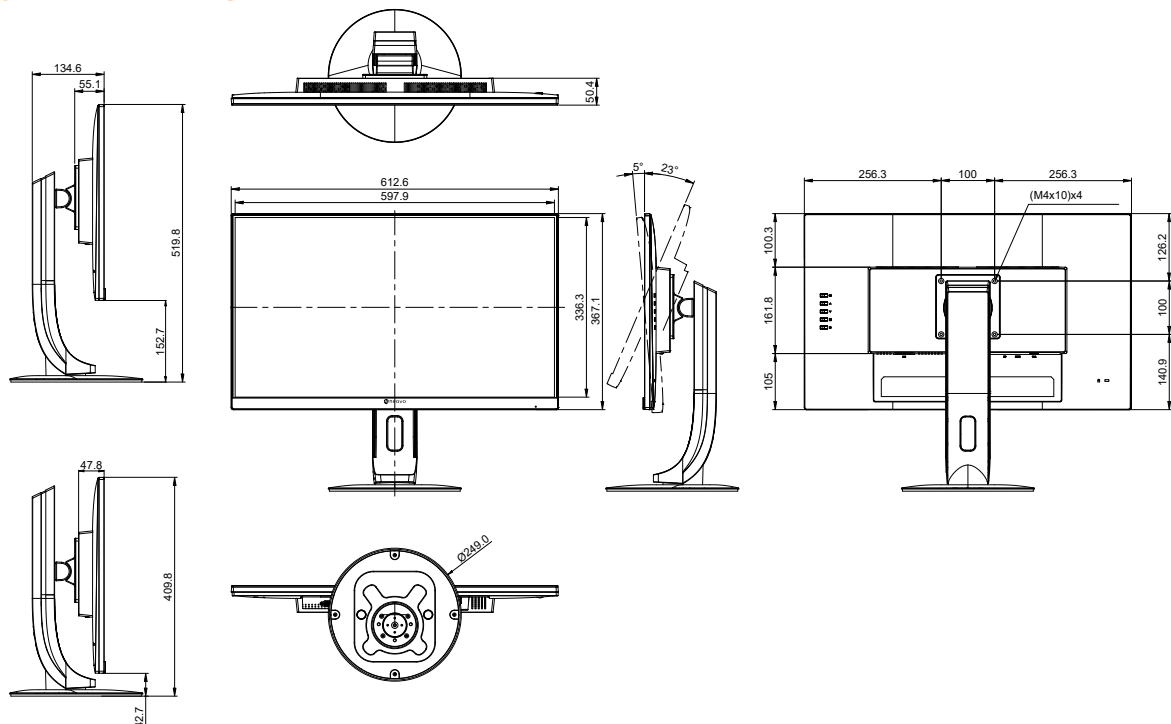
## FEATURES

- Full HD 1920 x 1080 resolution
- 178° /178° wide viewing angle
- Support DICOM Part 14 with calibrated greyscale and brightness
- Crisp 20,000,000:1 dynamic contrast ratio
- 3-sided narrow bezel design for seamless multi-display setups
- Medical adapter certified to the IEC/EN 60601-1 medical standard
- White exterior design for easy contaminant detection
- Versatile Connectivity: DisplayPort, HDMI and VGA
- HDMI inputs for Full HD connectivity with a variety of devices
- Selectable aspect ratio
- VESA mounting for flexible installation in healthcare settings
- Height adjustable stand allows users to tilt, pivot and swivel



Featuring DICOM preset and medical-grade power supply, the MD-2702 clinical review monitor ensures correct and consistent brightness and greyscale levels of medical images in detail at any viewing angle. Its image stability, medical-grade power supply, and VESA-compatible mounts give clinical professionals confidence in clinical review and easy to set up a mobile workstation while meeting the standards of premium quality assurance and financial benefits.

## TECHNICAL DRAWING



## SPECIFICATIONS

### Panel

|                     |   |
|---------------------|---|
| Panel Type          | LED-Backlit TFT LCD (VA Technology)                           |
| Panel Size          | 27.0"   |
| Max. Resolution     | FHD 1920 x 1080   |
| Pixel Pitch         | 0.311 mm  |
| Brightness          | 300 cd/m <sup>2</sup><br>180 cd/m <sup>2</sup> (DICOM Preset) |
| Contrast Ratio      | 20,000,000:1 (DCR)  |
| Viewing Angle (H/V) | 178°/178°   |
| Display Colour      | 16.7M   |
| Response Time       | 5 ms  |

### Frequency

|               |               |
|---------------|---------------|
| Frequency (H) | 30 kHz-83 KHz |
| Frequency (V) | 50 Hz-76 Hz   |

### Signal Input

|             |                  |
|-------------|------------------|
| DisplayPort | x 1              |
| HDMI        | 1.4 x 1          |
| VGA         | 15-Pin D-Sub x 1 |

### Power

|                    |              |
|--------------------|--------------|
| Power Supply       | External     |
| Power Requirements | DC 12V, 2.5A |
| On Mode            | 16W (On)     |
| Stand-by Mode      | < 0.3W       |
| Off Mode           | < 0.2W       |

### Operating Conditions

|             |                          |
|-------------|--------------------------|
| Temperature | 0°C-40°C (32°F-104°F)    |
| Humidity    | 10%-85% (non-condensing) |

### Storage Conditions

|             |                          |
|-------------|--------------------------|
| Temperature | -25°C-55°C (-13°F-131°F) |
| Humidity    | 5%-93%(non-condensing)   |

### Mounting

|              |                    |
|--------------|--------------------|
| VESA FPM/PMI | Yes (100 x 100 mm) |
|--------------|--------------------|

### Stand

|                   |                |
|-------------------|----------------|
| Tilt              | -5° to 23°     |
| Pivot             | -2.5° to 92.5° |
| Swivel            | ± 65°          |
| Height Adjustment | 0-110 mm       |

### Security

|                          |     |
|--------------------------|-----|
| Kensington Security Slot | Yes |
|--------------------------|-----|

### Dimensions

|                               |  |
|-------------------------------|--|
| Product with Base (W x H x D) | 612.6 x 519.8 x 249.0 mm (24.1" x 20.5" x 9.8")  |
| Product w/o Base (W x H x D)  | 612.6 x 367.1 x 50.4 mm (24.1" x 14.6" x 2.0")   |
| Packaging (W x H x D)         | 700.0 x 456.0 x 282.0 mm (27.6" x 18.0" x 11.1") |

### Weight

|                   |                  |
|-------------------|------------------|
| Product w/o Base  | 3.7 kg (8.2 lb)  |
| Product with Base | 6.1 kg (14.5 lb) |
| Packaging         | 8.8 kg (19.4 lb) |

### Regulation Approval

|                              |   |
|------------------------------|---|
| Certifications & Compliance  | CE, LVD, WEEE, RoHS, REACH, EAC, UKCA, BSMI                   |
| Power Adaptor Certifications | ADAPTER/ATM065T-P120: CE, FCC, PSE, WEEE, BSMI, Medical Grade |

### Accessories

|          |   |
|----------|---|
| Supplied | Power Adaptor, Power Cord, HDMI Cable, Quick Start Guide, Warranty Card |
|----------|---|

### Optional Accessories

|                                |                                |
|--------------------------------|--------------------------------|
| Ceiling Mount (Landscape only) | CMP-01+WMK-03                  |
| Wall Mount (Landscape only)    | WMA-01, WMK-01, WMK-03, PMK-01 |
| Desk Mount (Landscape only)    | DMC-01, ES-02                  |

